

FiberMod

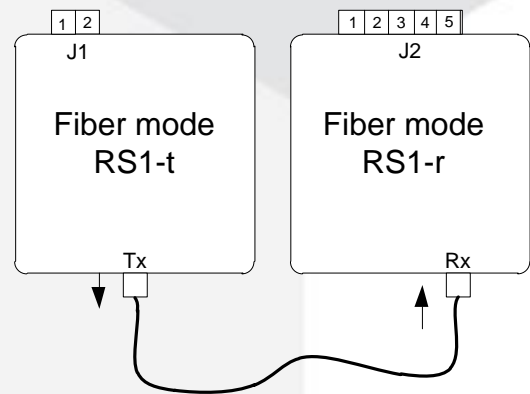
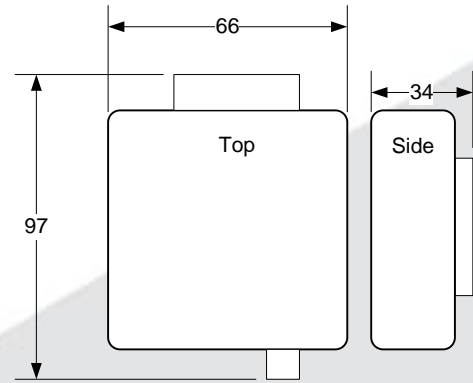
Fiber Media Relay Switch

FiberMod RS1-t, Fiber optic output (transmitter) module

FiberMod RS1-r , Fiber optic input (receiver) module with relay switch



- 820 nm Wavelength Technology
- System power (7 - 50)VDC
- Din rail mounting
- Operating temperature $-5^{\circ}\text{C} \sim 60^{\circ}\text{C}$
- Delay <10ms
- Over temperature sensor
- Over voltage protection
- ST fiber optic connector
- Signal of TxD output/ RxD input
- Specified with 50/125 μm , 62,5/125 μm , 100/140 μm and 200 μm HCS®Fiber



Fiber optic receivers can use multi-mode optical cable. Multi-mode cable supports the propagation of multiple modes and features core diameters 50/125 and 62,5/125 μm .

FiberMod-RS1 is designed for remote device monitoring over the fiber optic cables. Powered on device sends corresponding data through the fiber optic cable. Receiver FiberMod-RS1-r receives signal and respectively commutates the relay output. Transmitter FiberMod-RS1-t transmits signal. Optic cables are used for data transfer through environments which distort electric signals. Module designed for Din rail mounting that lets to use device in wide area of industrial environment.

Specifications

Data of transmitter	
Monitoring channel	1
Optic cable	<2 km
Fiber	ST
Rated voltage	(7 – 50) VDC
Rated current	=== 120 mA max
Optical Power	-15,2 dBm average
Data of receiver	
Optic cable	<2 km
Fiber	ST
Rated power	(7 – 50)VDC
Rated current	=== 150 mA max
Control relay	Commutate 2 A, max 30 VDC, 240 VAC
Sensitivity	-34,4 dBm average
MBd Link	
Optical Power Budget with 50/125 μ m fiber	9,6 dB
Optical Power Budget with 62,5/125 μ m fiber	15 dB
Connection, connectors	
J1	Power connector 1. – 2. + (7-50) VDC / 120 mA
Tx	ST fiber optic connector Signal of TxD output
J2	Power and relay output connector 1. – 2. + (7-50) VDC / 120 mA
Rx	ST fiber optic connector Signal of RxD input
Mechanical	
Dimensions	34 (H) x 66 (W) x 97 (L), mm
Mounting	Din rail
Material	Plastic
Environmental	
Operating temperature	-5 ~ 60°C
Storage temperature	-40 ~ 80°C
Air humidity	<70%
Warranty	1 year



elseta

Copyright © 2011 UAB „ELSETA“ L. Zamenhofo str. 5, LT 06332 Vilnius, Lithuania. Ph. +370 70040022, E-mail: info@elseta.com, Website: www.elseta.com All rights reserved. Reproduction in any means without permission is prohibited.